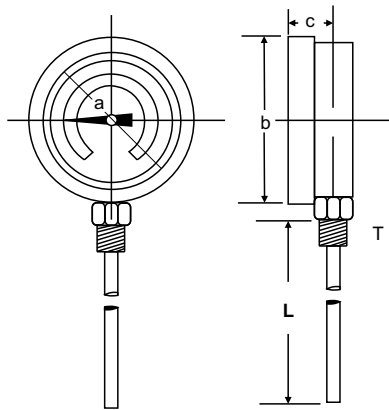


# Bi-Metal Dual Thermometer



**BS**



## General Specification

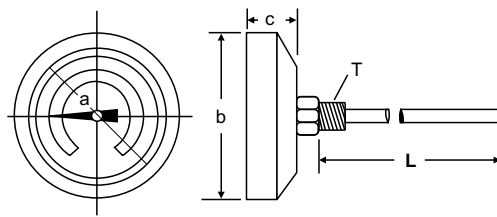
- Case Material: standard is SS304 ; SS316 is option-able
- Case Dial: 1.5", 2", 2.5", 3", 4", 5", 6"
- Stem Material: SS304 or SS316 is option-able
- Temperature Range: -50 ~ 600°C
- Accuracy:  $\pm 1^\circ\text{C}$  F.S.
- Connection: PT 1/4", PT 3/8", PT 1/2", PT 3/4"; (NPT ; BSP)
- Stem Length: By order ; standard max. 6" long

(Dimension Unit: mm)

Model No.	Case	a	b	c	T
BS3	3"	74	85	50	1/4"PT
BS4	4"	100	118	50	1/4"PT
BS5	5"	110	127	50	1/2"PT
BS6	6"	140	162	50	1/2"PT



**BL**

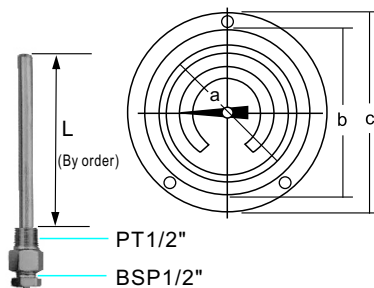


Model No.	Case	a	b	c	T
BL2	2"	49	58	14	1/4"PT
BL3	3"	70	84	17	1/4"PT
BL4	4"	100	119	18	1/2"PT
BL5	5"	125	141	18	1/2"PT
BL6	6"	150	166	18	3/4"PT

## Remote Reading Thermometer - Wall Mounting



**MW**



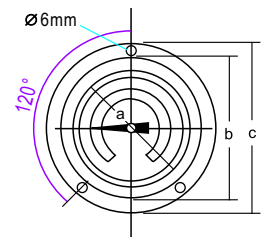
(Unit: mm)

Model No.	Dial	a	b	c
MW3	3"	70	85	101
MW4	4"	101	119	137
MW5	5"	110	127	145

## Remote Reading Thermometer - Flush Mounting



**MF**



(Unit: mm)

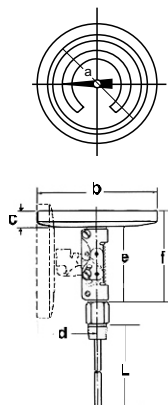
Model No.	Dial	a	b	b
MF3	3"	70	90	100
MF4	4"	102	124	139
MF5	5"	110	127	160
MF6	6"	140	178	196

## General Specification

- Case & Stem Material: SS304
- Accuracy:  $\pm 1.0\%$  of Full Scale
- Temperature Range:  $\pm 50^\circ\text{C}/^\circ\text{F}$  or  $0 \sim 650^\circ\text{C}$  (As order)
- Stem Diameter & Length: Standard is Dia. 12 $\varnothing$  and Length 6" long
- Capillary Length: 3M (Option for max. 10M)
- Standard Connection: 1/2"BSP x 1/2"PT



**BA**



## Adjustable Angle Type

- Dial: 3", 4", 5", 6"
- Material: Stainless Steel #304 for case and stem. (Option for SS#316 available)
- Stem Dia.: 6.35 ~ 9.5mm is available
- Thread: Dial 3" with PT 1/4" and others with PT 1/2" or as order.
- Accuracy:  $\pm 1\%$  of Full Scale.
- Ranges:  $\pm 50^\circ\text{C}/^\circ\text{F}$  to  $0 \sim 500^\circ\text{C}/^\circ\text{F}$  (as order)
- Anti-Parallax Sealed Glass window and white Dial with black scales.

Model No.	Dial	a	b	c	e	f	T
BS3	3"	75	91	18	75	93	1/4"PT
BS4	4"	100	119	18	75	93	3/8"PT
BS5	5"	125	141	18	75	93	1/2"PT
BS6	6"	150	166	18	75	93	3/4"PT